

DATA SHEET

TRS830P

Description: **TR.S 230V 50Hz 1,5/1,6A 1x8kV 30mA 25% C.440 VIRAS**

GENERAL CHARACTERISTICS

The ignition transformer is CE marked, It undergo to the European low voltage directives 2006/95/CE and in particular the directives EN61558-2-3:2011-04 and EN60730-2-5:2002; it is made in compliance with the electromagnetic compliance 2004/108/CE and the directive EN61000-3-2:2006/A2:2009 and EN61000-3-3:2008. By using the advised accessories the transformer is compliant with the prescription of the generic standard EN 55014-1:2006/A1:2009 and EN55014-2:1997/A2:2008. Every single transformer, at the end of its production cycle, is tested as reported on the table below.

The ignition transformer shall be used with a control unit.

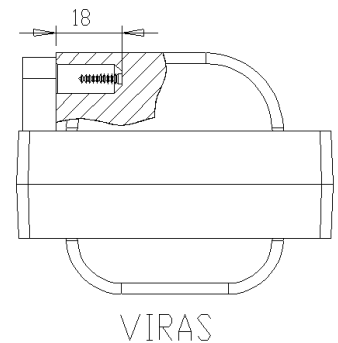
An high voltage symbol with yellow color filling has to be applied outside of the device where the transformer is mounted.

RATED DATA

| | |
|--|-------------------|
| Primary Supply Voltage E [V] | 230 V |
| Frequency [Hz] | 50 Hz |
| Primary Current [A] | 1,5/1,6A A |
| Apparent Power [VA] | 345/368 VA |
| Secondary Voltage at open circuit RMS [kV] $\pm 10\%$ | 1x8 kV |
| Secondary Peak Voltage at open circuit [kV] | 11,31 kV |
| Secondary Current in short circuit RMS [mA] $\pm 10\%$ | 30 mA |
| Duty Cycle | 25% on 4' |
| Approvals | CE |

MECHANICAL DATA

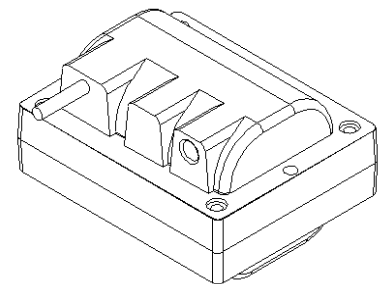
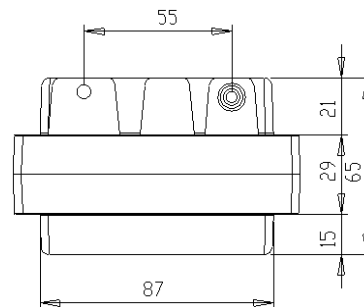
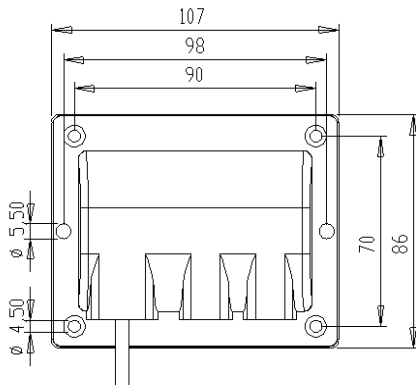
| | |
|----------------------------------|----------------------------------|
| External enclosure | Epoxy thermosetting resin |
| High Voltage output | VIRAS |
| High Voltage connections | Screws |
| Ambient Temperature - Protection | Ta 35°C - IP 00 |
| Packaging | 10 pcs box |
| Weight [kg] | 1,944 Kg |



PRIMARY CONNECTIONS

| | | | |
|------------------------|---------------|-------------|---|
| Low Voltage connection | Cable | | |
| Actual cable L. [mm] | 380 mm | Description | SIL 3x0,50 3 END SPLICES TERMINALS |

DIMENSIONS



Note

Date **23/05/2013**

Paolo Comin